

FAG

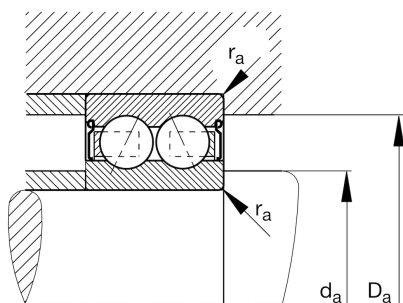
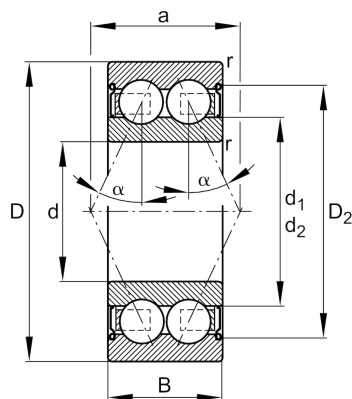
3214-B-2Z-TVH

Angular contact ball bearing

Schaeffler ID:
0384742470000

Angular contact ball bearing 32..-B-2Z-TVH, double row, shields, plastic cage

Technical information

**Main Dimensions & Performance Data**

d	70 mm	Bore diameter
D	125 mm	Outside diameter
B	39,7 mm	Width
C_r	82.000 N	Basic dynamic load rating, radial
C_{0r}	79.000 N	Basic static load rating, radial
C_{ur}	4.100 N	Fatigue load limit, radial
n_G	4.150 1/min	Limiting speed
n_{gr}	5.600 1/min	Reference speed
	1,78 kg	Weight

Dimensions

r_{min}	1,5 mm	Minimum chamfer dimension
D_2	110,7 mm	Caliber diameter outer ring
d_1	86,8 mm	Shoulder diameter inner ring
a	61,6 mm	Distance between the apexes of the pressure cones
α	25 °	Contact angle

Mounting dimensions

$d_{a min}$	79 mm	Minimum diameter shaft shoulder
$D_{a max}$	116 mm	Maximum diameter of housing shoulder
$r_{a max}$	1,5 mm	Maximum fillet radius

Temperature range

T_{min}	-20 °C	Operating temperature min.
T_{max}	120 °C	Operating temperature max.